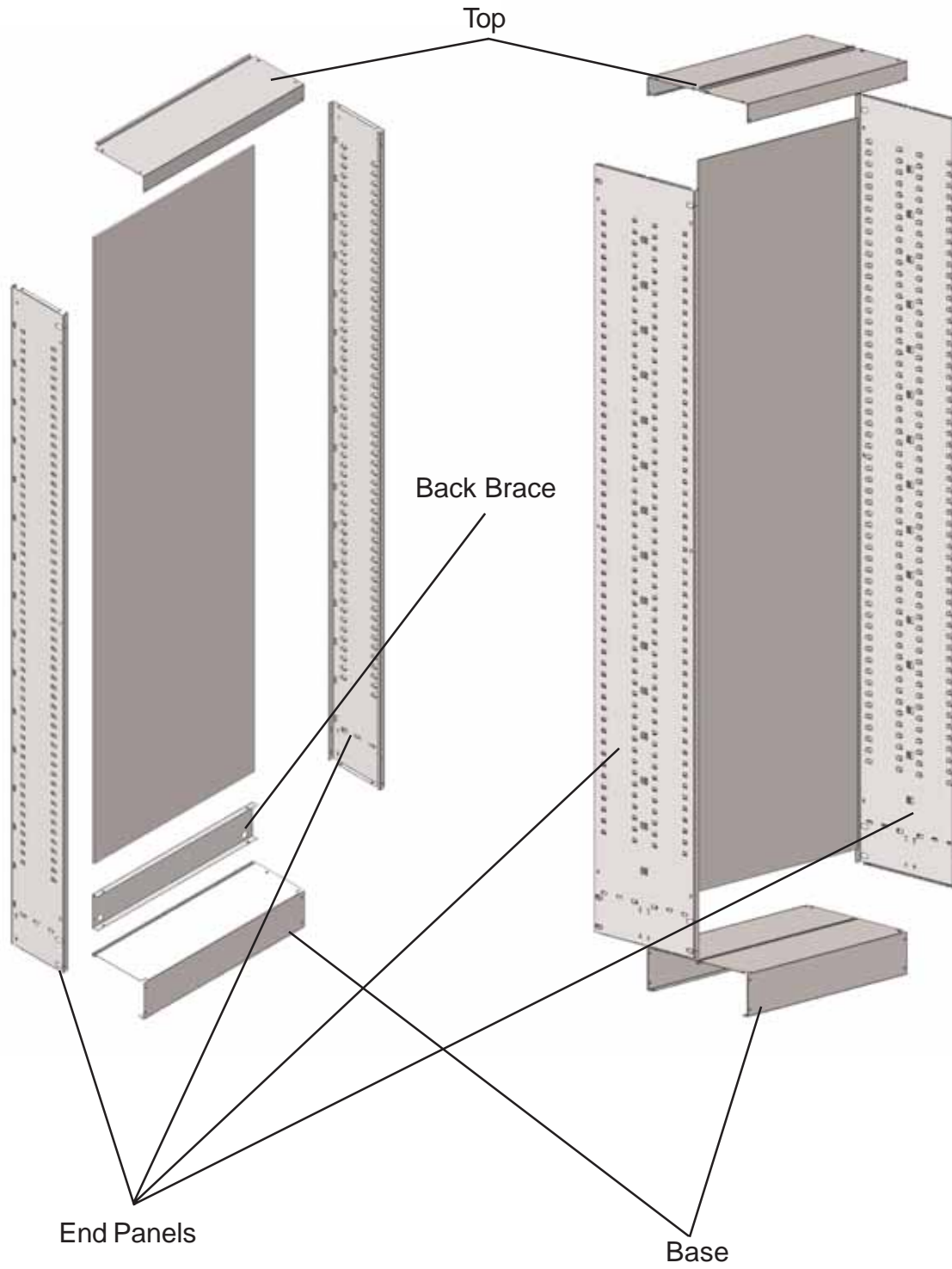


# BOTTLE BAY ASSEMBLY INSTRUCTIONS

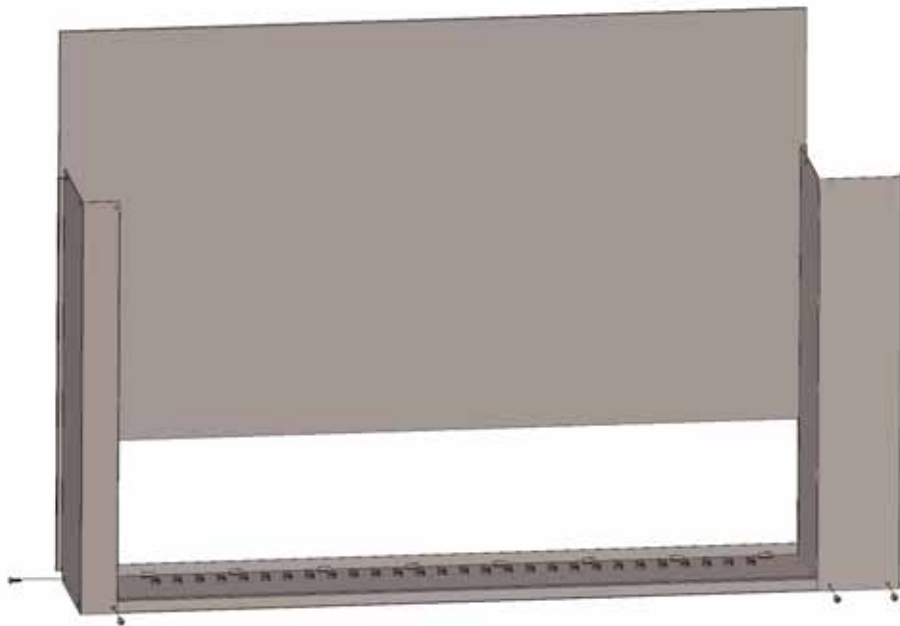
# PART IDENTIFICATION



**1a**

**SINGLE BOTTLE BAYS**—Lay one end panel on a flat surface with the shelf hooks facing up. Attach the base and top to the end panel as shown below with 4 #10x1/2" self tapping screws.

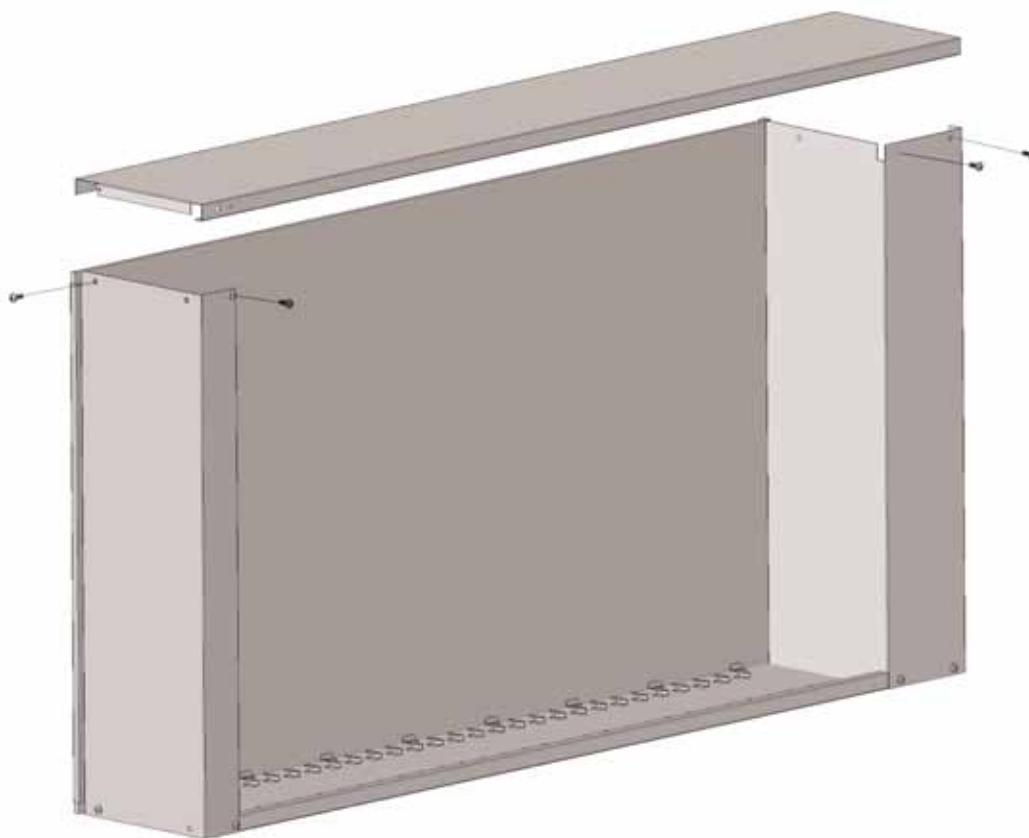
REFER TO STEP **2** FOR  
DOUBLE BOTTLE BAY ASSEMBLY

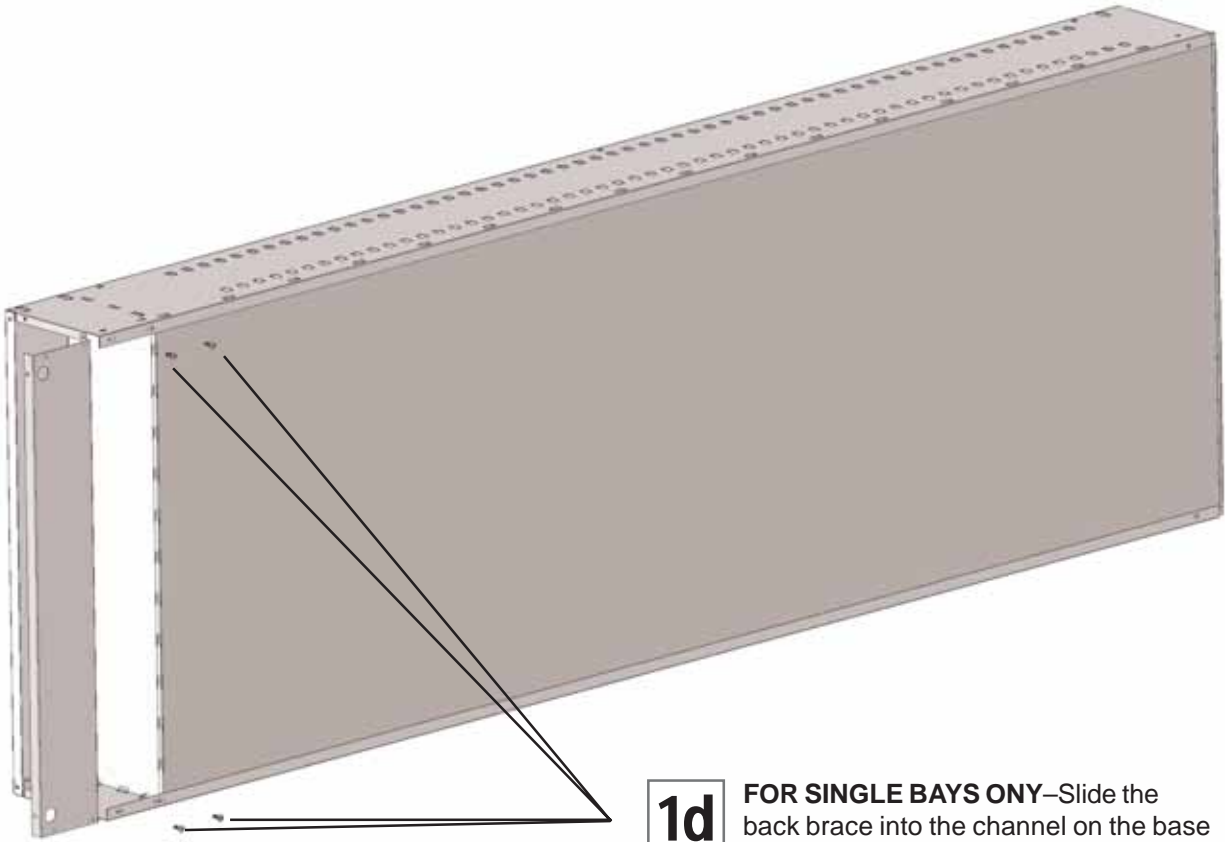
**1b**

**SINGLE BOTTLE BAYS**—Slide the back panel into the channels in the top, base, and end panel. The top of the back panel has notched corners. This end must go into the top channel.

**1c**

**SINGLE BOTTLE BAYS**—With the back panel in place, lay the second end panel onto the unit with the channel fitting over the back panel and fasten to the base and top in the same manner as the first end panel.

**2****BOTTLE BAY ASSEMBLY**

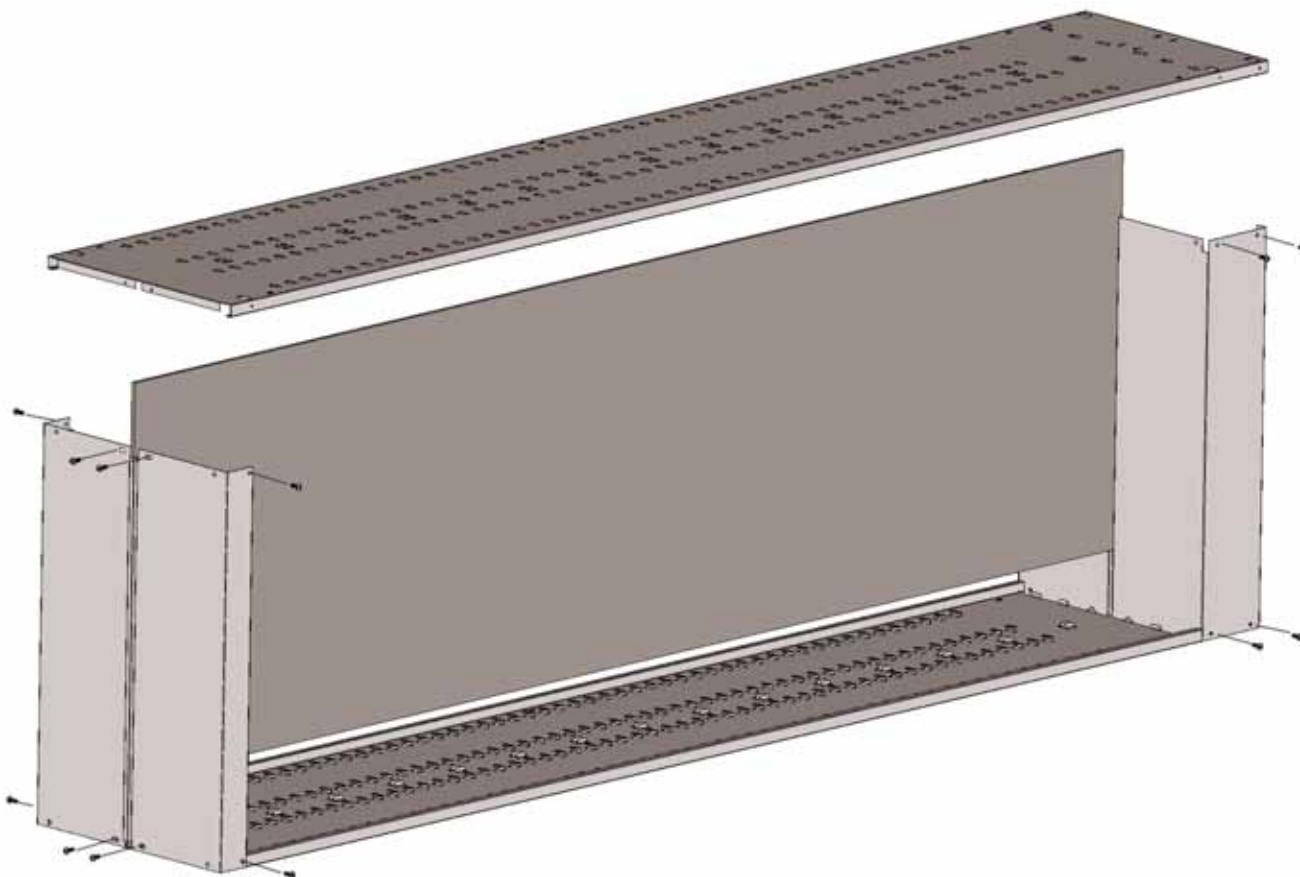


**1d** **FOR SINGLE BAYS ONLY**—Slide the back brace into the channel on the base as pictured above and attach with 4 #10x1/2" self tapping screws.



**2a**

**DOUBLE BOTTLE BAYS**—Lay one end panel on a flat surface with the shelf hooks facing up. Attach the base and top to the end panel as shown below with 8 #10x1/2" self tapping screws.

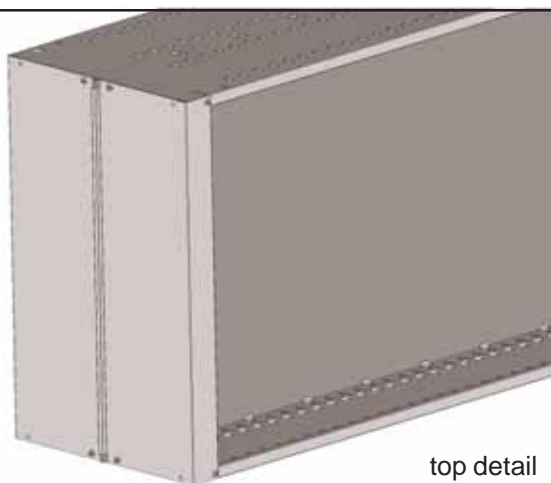


**2b**

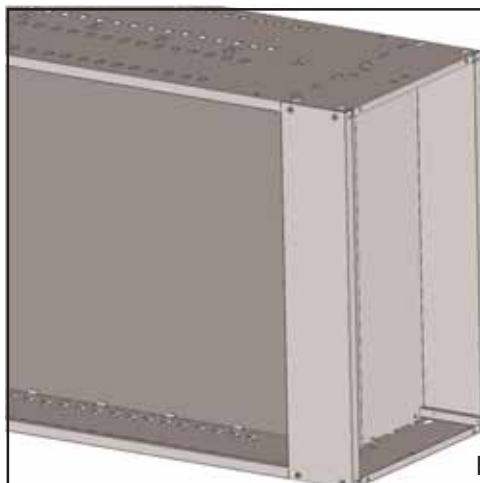
**DOUBLE BOTTLE BAYS**—Slide the back panel into the channels in the top, base, and end panel. The top of the back panel has notched corners. This end must go into the top channel.

**2c**

**DOUBLE BOTTLE BAYS**—With the back panel in place, lay the second end panel onto the unit with the channel fitting over the back panel and fasten to the base and top in the same manner as the first end panel.



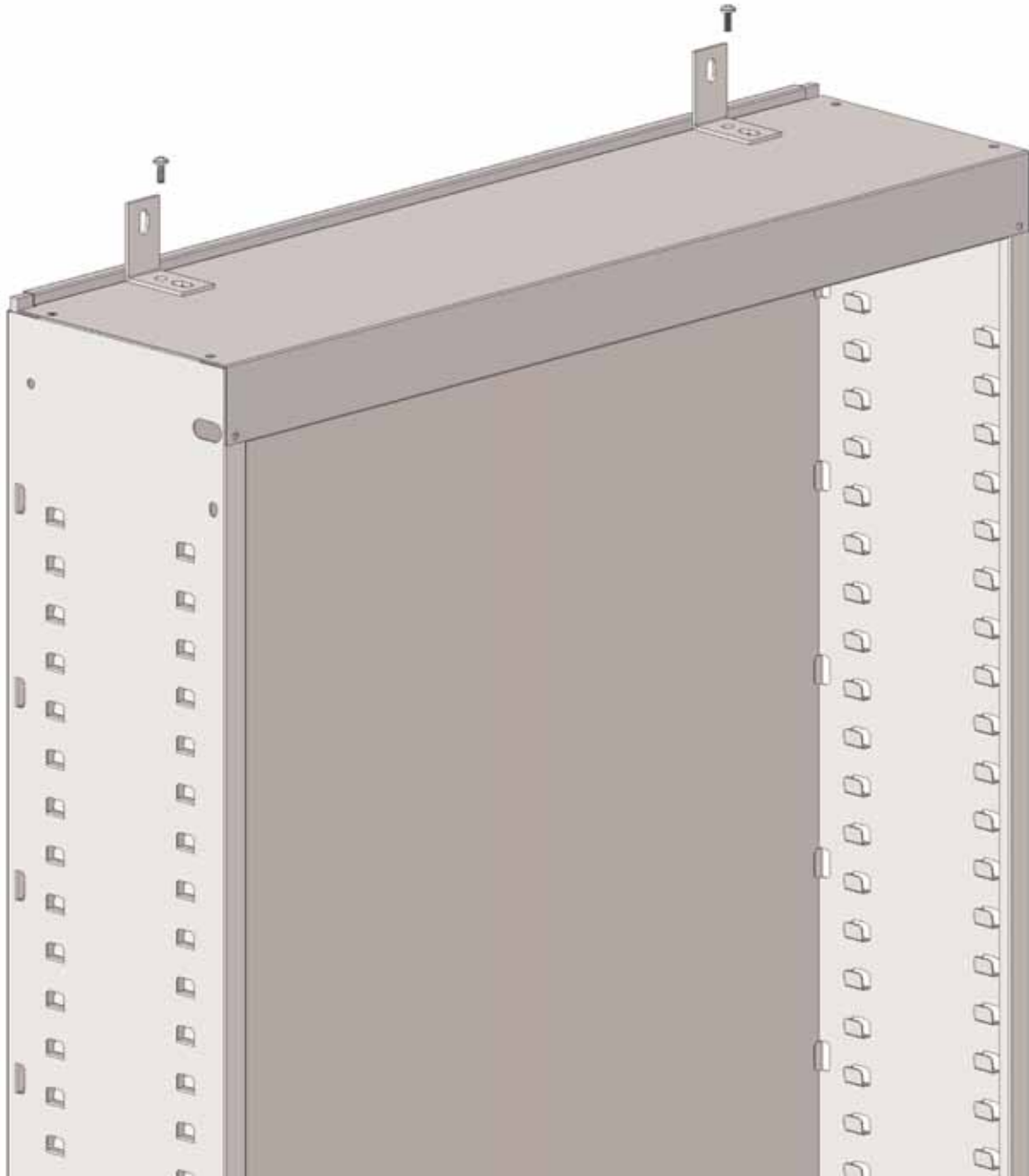
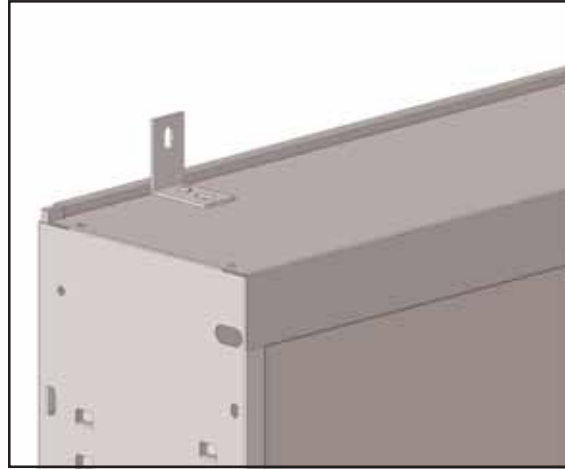
top detail



base detail

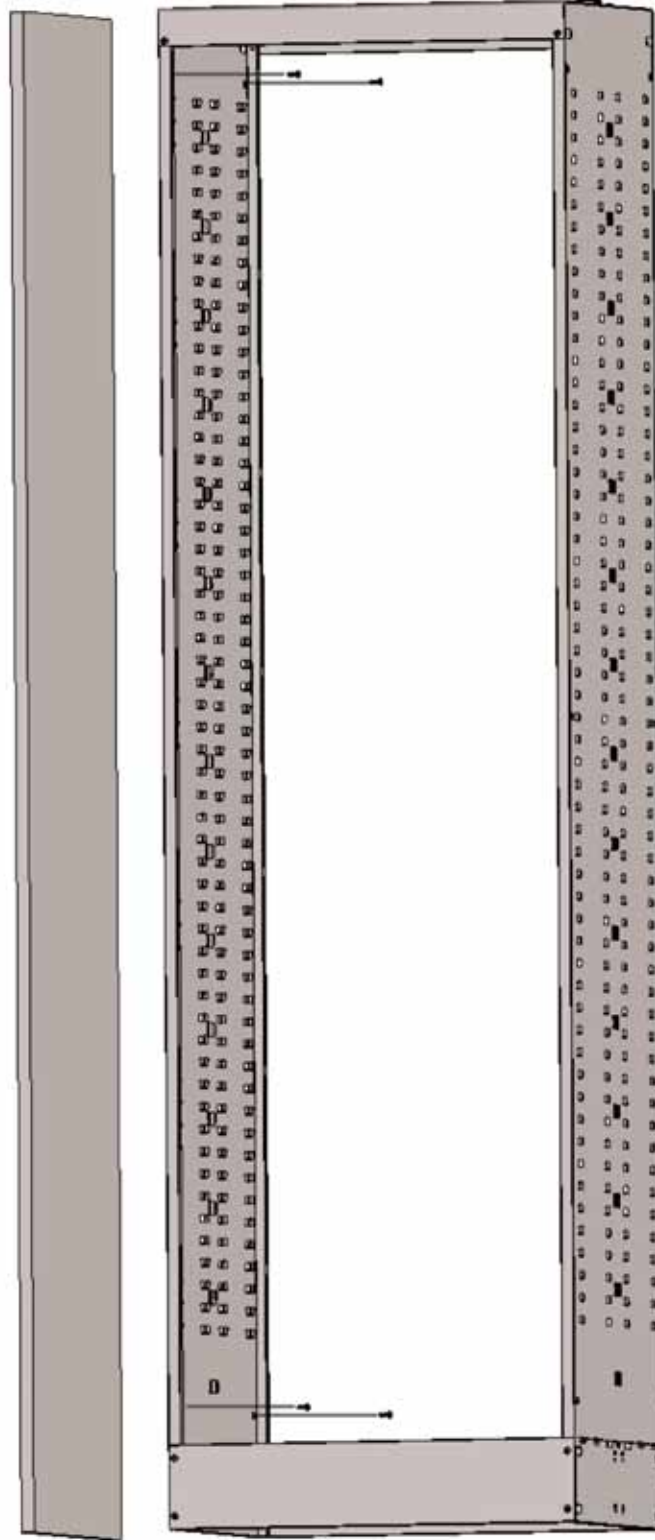
**3**

**SINGLE BOTTLE BAYS**—When bays are to be installed against a wall use two corner angles to fasten to the wall (Drill a hole through the top of the bottle bay at each end and attach angle with 1/4-20x3/4" truss head bolt and hex nut). Securely anchor to wall using appropriate fastener compatible with type of wall (not furnished).



4

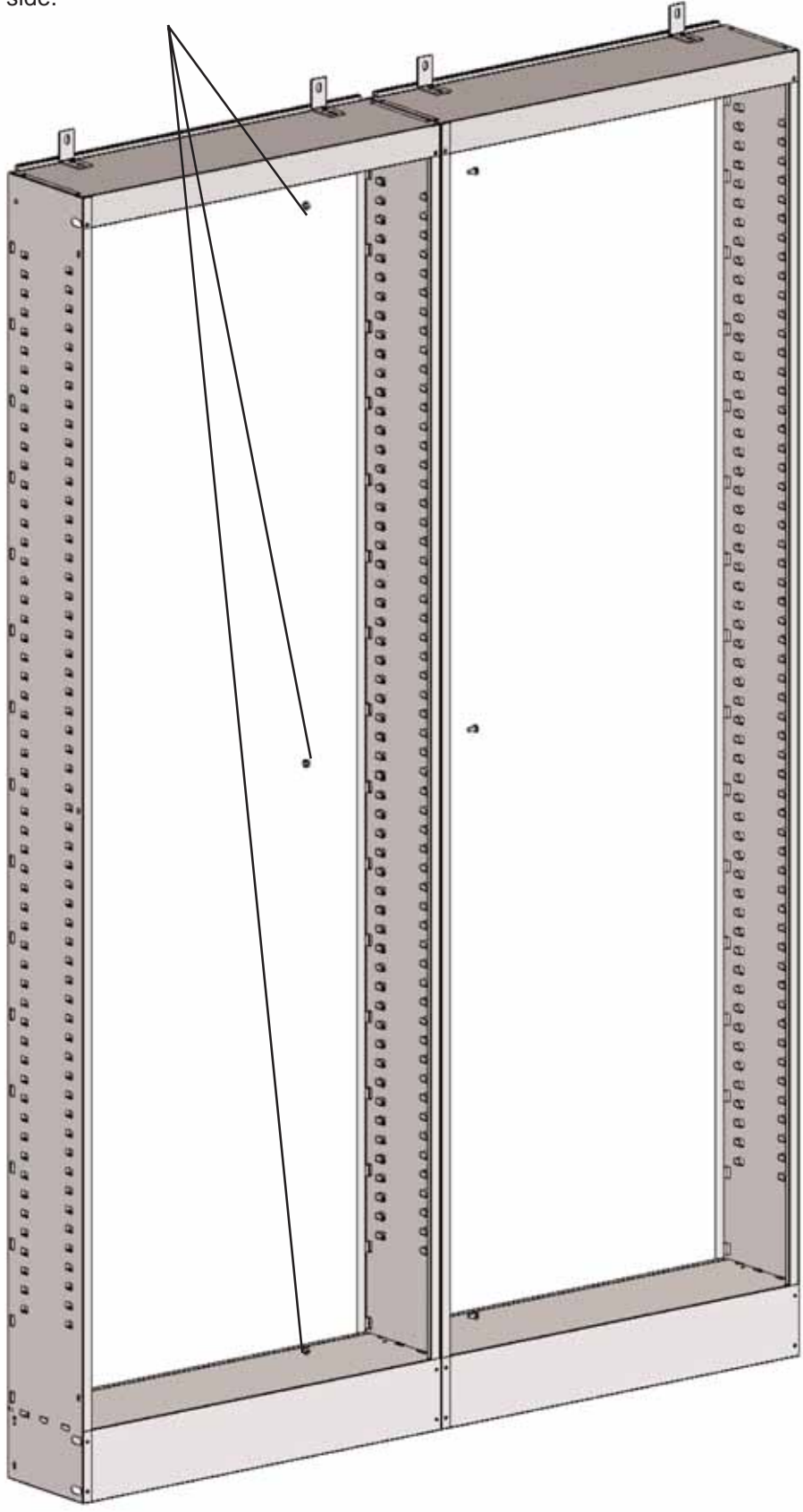
**DOUBLE BOTTLE BAYS**—When laminate overlay panels are ordered, hold against end of bottle bay and secure from inside of the bottle bay thru predrilled holes in bottle bay end panel with 4 #10x1/2" self tapping screws per end panel.





**5**

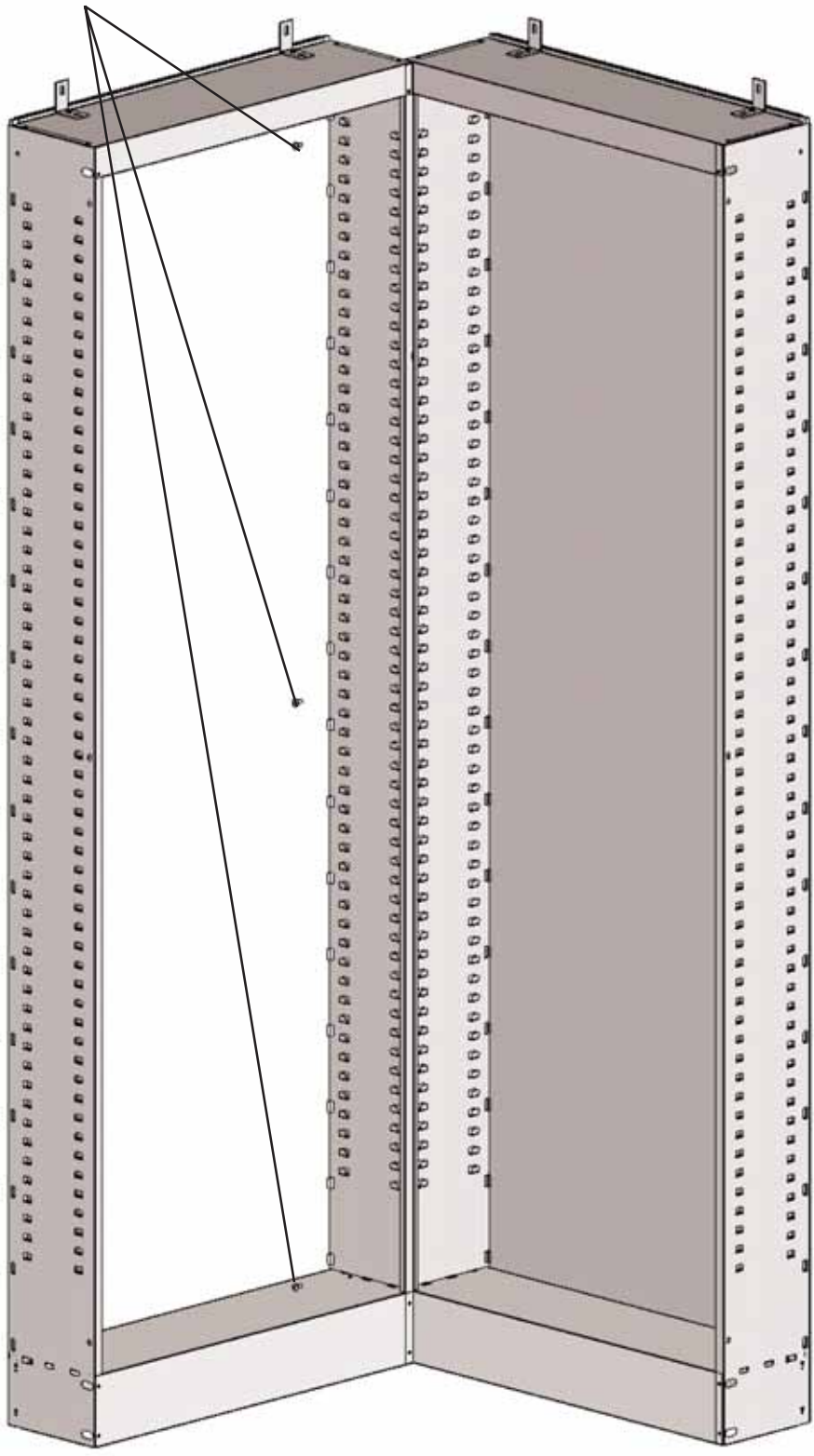
When units are set in-line, use pre-drilled holes under the lip at the front edge of the end panels. Secure with 3 1/4-20x1/2" truss head machine screws per side.





**6**

When units are set at a right angle, place as shown below and drill holes from the predrilled holes in the end panel of one bottle bay into the front lip of the opposite bottle bay. Secure with 3 #10x5/8" self tapping screws per side.



**7**

Install shelves as shown (in the section view to the left) resting in the hooks of the end panels. Make sure shelves are level.

