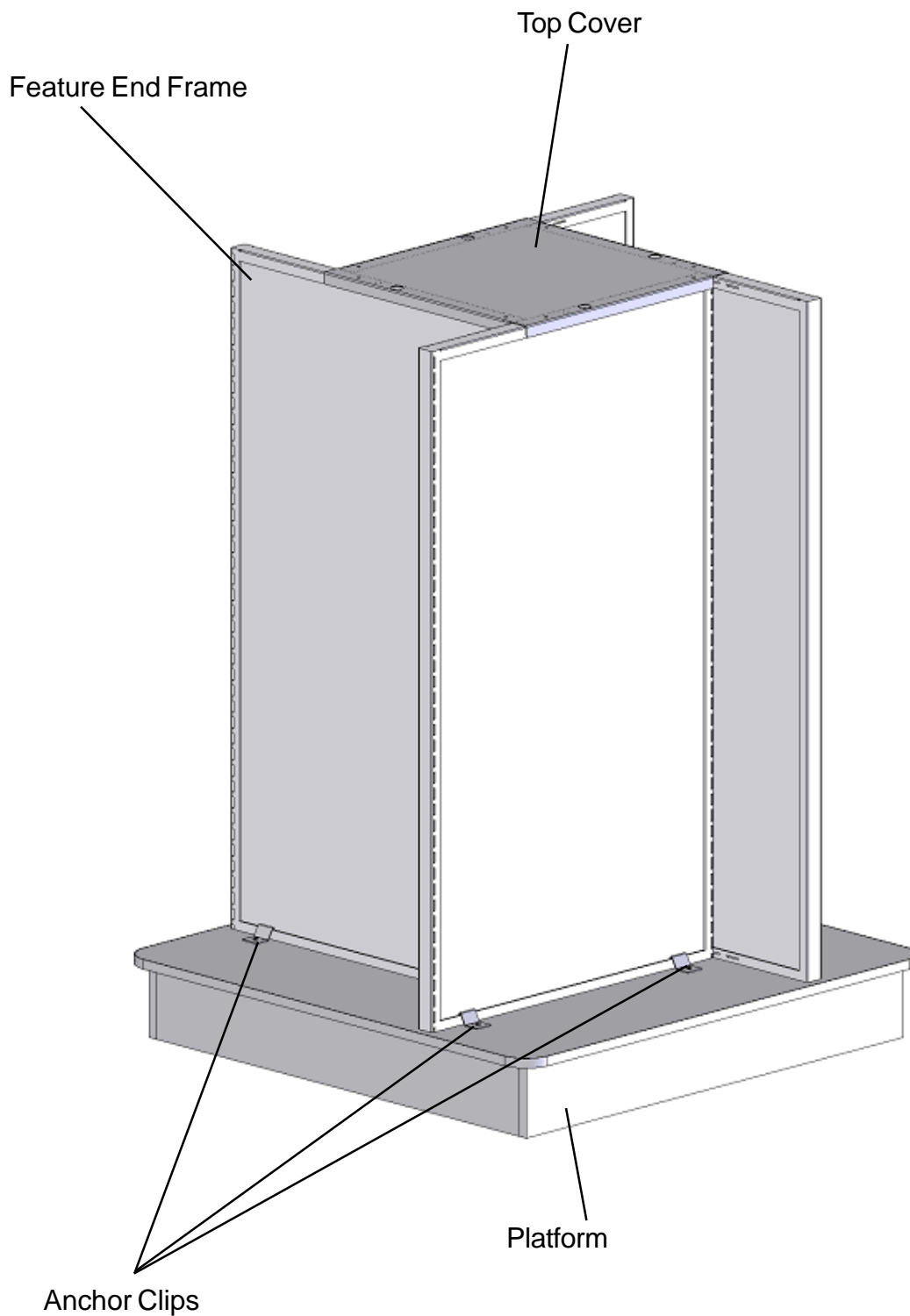


4-WAY ASSEMBLY INSTRUCTIONS

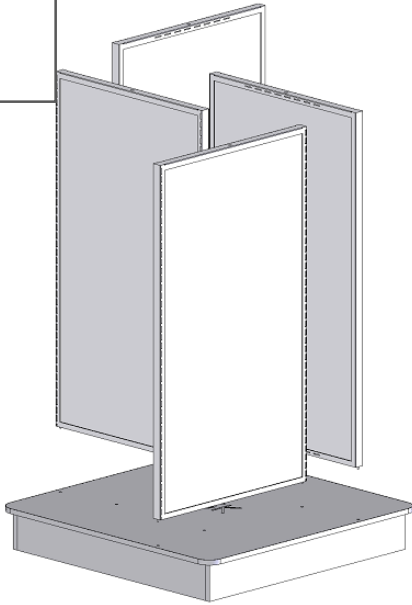
PART IDENTIFICATION



HARDWARE INCLUDED

- 8 #10-16x3/4" Tek Screws
- 8 #10x5/8" Panhead Screws
- 8 Anchor Clips

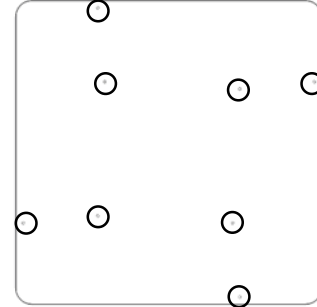
1



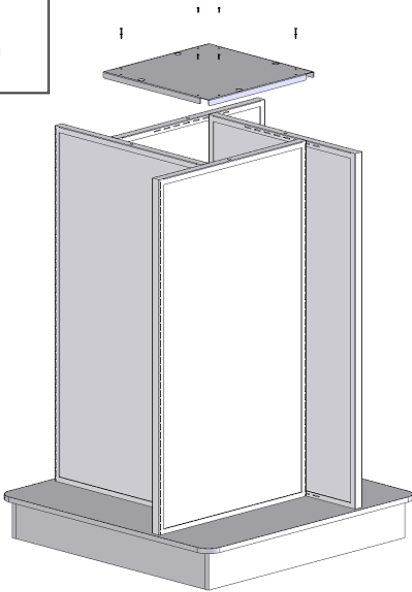
Start by inserting the pegs on each of the feature end frames into the holes in the platform as shown to the left and below.

NOTE: SLOTS ON THE TOP CHANNEL OF THE FEATURE END FRAME SHOULD FACE IN.

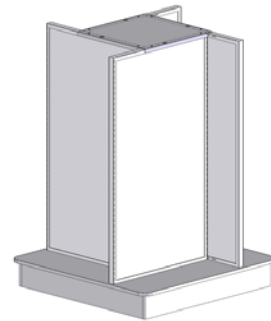
ATTENTION: IT IS ADVISED THAT TWO PEOPLE ASSEMBLE THIS UNIT.



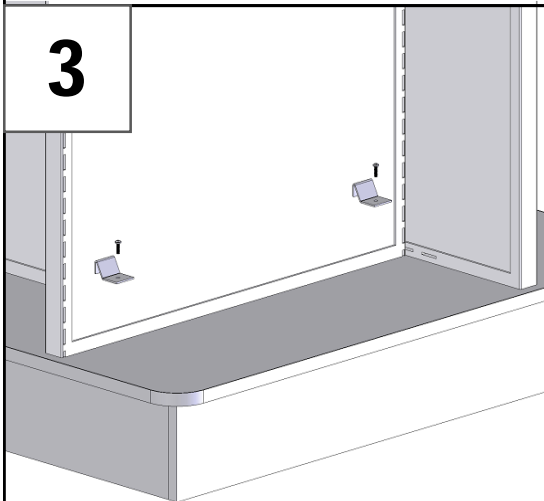
2



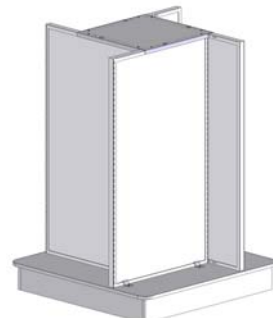
Slide the top cover over each of the feature end frames as pictured to the left and below. Then, secure it with 8 #10-16x3/4" tek screws.



3



Using two anchor clips per feature end frame hook the anchor clips over the bottom channel approximately three inches from the edge of each frame. Secure each anchor clip with 1 #10x5/8" panhead screw.



2

4-WAY ASSEMBLY
Feature End Frames, Decks, Anchors clips